

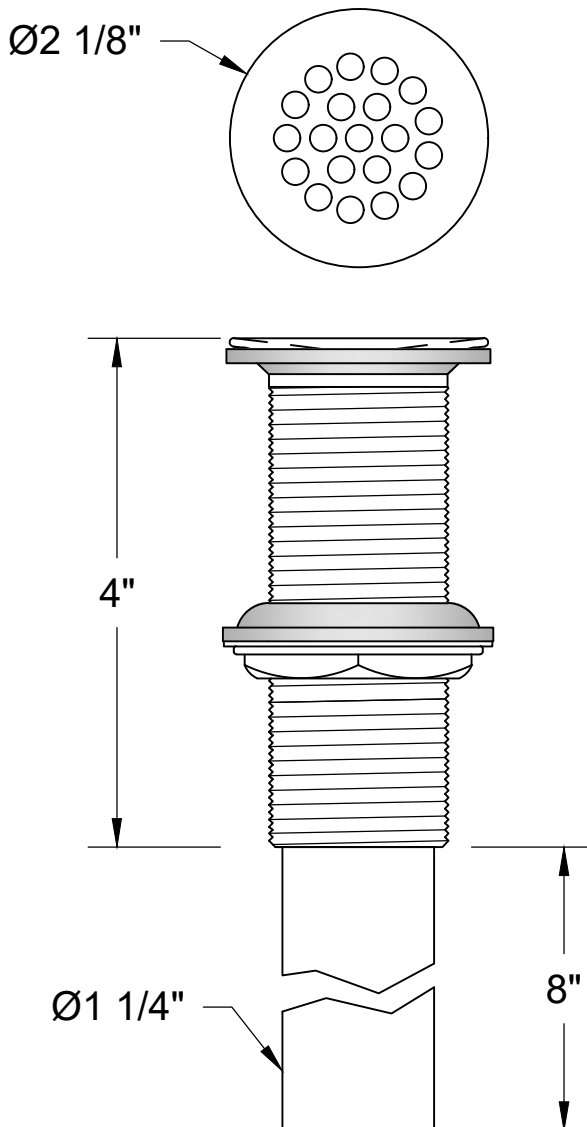
# MT735

## 20 HOLE BRASS LAVATORY GRID DRAIN WITH 8" TAILPIECE AND NO OVERFLOW

### SPECIFICATION SHEET



Mountain  
Plumbing Products



- FEATURES PATENTED "FAST FLOW ANGLE TOP" - ALLOWS FOR FAST DRAINING AND PREVENTS WATER FROM POOLING
- FOR USE WITH  $\text{\O}1\ 1/2"$  DRAIN OPENING
- INTENDED FOR SINKS WITH NO OVERFLOW
- $\text{\O}1\ 1/4"$  TAILPIECE IS REMOVABLE
- ENTIRE DRAIN AND TAILPIECE ARE FINISHED FOR EXPOSED APPLICATIONS
  
- MT326TP -  $\text{\O}1\ 1/4"$  x 12" TAILPIECE (SOLD SEPARATELY)
- MT328SJ -  $\text{\O}1\ 1/4"$  x 8" SLIP JOINT EXTENSION (SOLD SEPARATELY)

#### WARRANTY

FOR WARRANTY INFO PLEASE VISIT [WWW.MOUNTAINPLUMBING.COM/PAGE/RESOURCES/WARRANTY](http://WWW.MOUNTAINPLUMBING.COM/PAGE/RESOURCES/WARRANTY)

#### FINISH CARE & MAINTENANCE

NEVER USE ANY HARSH ALKALI, ACID BASED DETERGENTS OR CLEANERS SUCH AS SOFT SCRUB<sup>®</sup>, SCRUBBING BUBBLES<sup>®</sup> OR COMET<sup>®</sup> TO CLEAN. DO NOT USE BRILLO<sup>®</sup> AND SCOTCH BRITE<sup>®</sup> PADS. THESE WILL ALL HARM THE FINISH. TO CLEAN, USE ONLY A DAMP SOFT CLOTH AND WIPE USING A SOFT CLOTH. STANDARD WINDEX<sup>®</sup> CAN ALSO BE USED SPARINGLY. IT IS NOT NECESSARY TO WIPE HARD TO REMOVE SPOTS. TO MAINTAIN THE FINISH, WIPE WITH A SOFT DRY CLOTH AFTER USE. AN OCCASIONAL COAT OF PURE CARNAUBA WAX WITHOUT CLEANERS WILL HELP PROTECT THE FINISH.

SPECIFICATIONS SUBJECT TO CHANGE WITHOUT NOTICE